

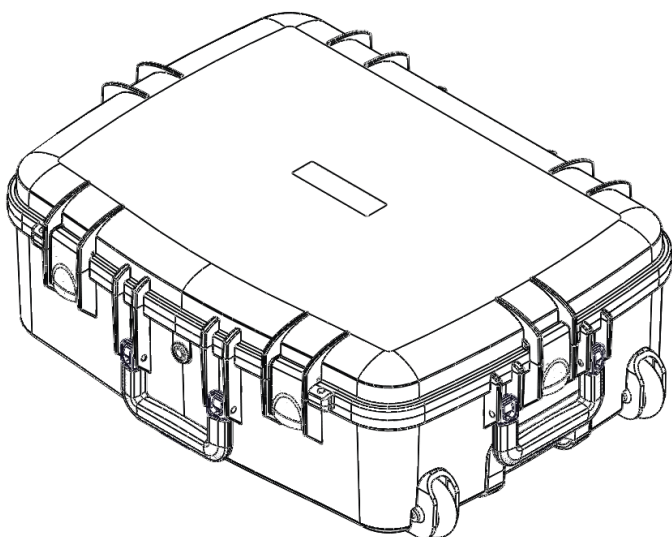


Ki Development Transmitter transport case



Transport the Ki Development power transmitter safely to any event using the custom made hardshell transport case

- Custom insert for optimal protection
- Storage space for cables
- Rugged copolymer design
- Complies to transportation standards



Defion Ki DTX hard shell case	
Article No	220-100201
Outside dimensions (LxWxH)	696 x 526 x 244mm
IP rating	IP67
Temperature range	-40°C - 70°C
Weight (empty)	7.95 kg
Certifications	ASTM D4169 ASTM D6179 ASTM D5276 ASTM D999 MIL-STD 810 MIL-STD 3010 ATA spec 300 cat 1